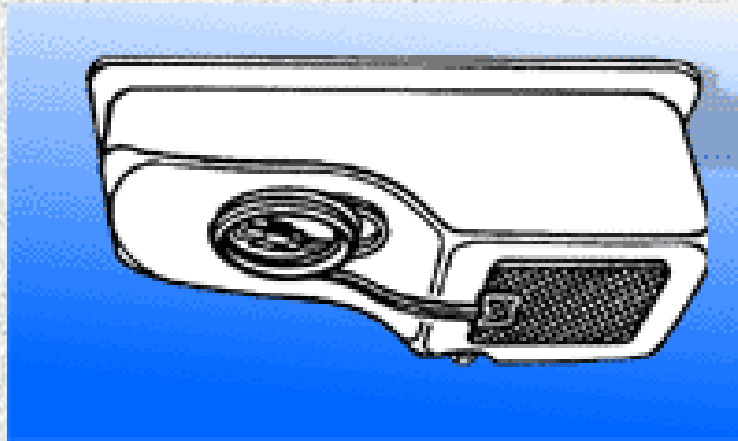


Oil Pan Heaters



*May Not Be Exactly As Shown



Made From Silicone Rubber
Easy to Install with Silicone Adhesive

Automotive

Engines, Transmissions, Differentials, Starters,
Power Steering Pumps

Industrial

Hydraulic Reservoirs, Hydraulic Cylinders, Fuel Tanks, Engines, Transmissions

Agricultural Water Heaters

Livestock, Poultry, Pets

Suggested Recommendation: 15-30 Watts Per Litre of Oil

50W- 2 x 5 oil pan heater

75W- 3 x 5 oil pan heater

100W- 4 x 5 oil pan heater

150W- 4 x 5 oil pan heater

80W-12V 4 x 4 oil pan heater

200W- 4 x 10 oil pan heater

250W- 5 x 10 oil pan heater

300W- 6 x 10 oil pan heater

450W- 6 x 15 oil pan heater

720W- 12 x 12 oil pan heater

60W- Battery Warmer

MAIN BRANCH

555 Third Avenue
Prince George, BC V2L 3C2

Ph: 250-562-1258

Fax: 250-562-6872



Chieftain

AUTO PARTS



BRANCH #2

6437 Hart Highway
Prince George, BC V2K 3A4

Ph: 250-962-1258

Fax: 250-562-6872

Visit Us On Our Website: www.chieftain.bc.ca

Member Of Auto Sense Auto Parts - "A Network Of Members Coast-to-Coast"

